

The AV810 is a full featured Advanced FPGA/DSP development card. The card features two AVXB expansion connectors; this allows the user to easily acquire many formats of data for processing / displaying.

Applications
Real Time 1080p60 encoding and Decoding
Security & Industrial DVR
Video Conference
Image Processing

### Features

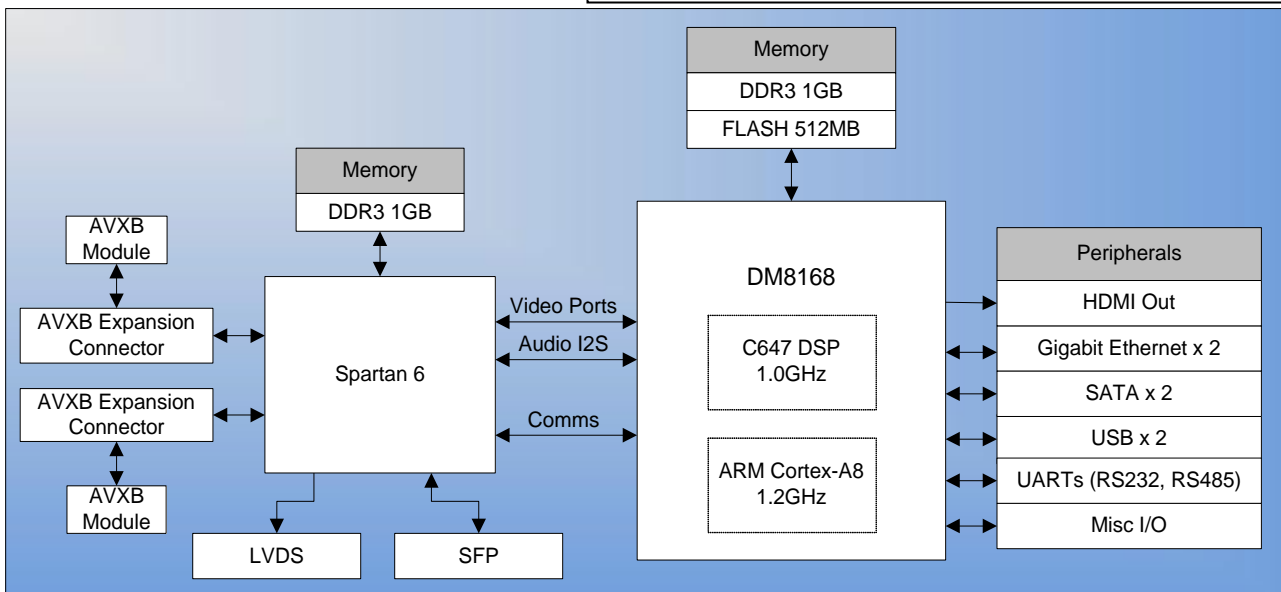
- TI DM8168 floating point DSP
- Xilinx Spartan 6 FPGA
- Supports all AVXB video modules
- HDMI out
- LVDS LCD Driver
- SFP Interface
- 1GB DDR3 Image Processing Memory
- Linux based, easily customisable

### Connectivity

- SATA x 2
- USB x 2
- Gigabit Ethernet x 2
- SFP
- LVDS
- UARTS, I2C, SPI Communication Ports
- I/O Interface
- AVXB Expansion Interface x 2

### Software

- Pre-loaded encoding applications;
  - **H.264** encoding streaming up to 1080p60
  - **AAC** or **PCM** audio encoding
  - Fully customisable parameters; resolution max bit rate etc.
  - **MPEG-2 TS** or **RTP** output
- Pre-loaded decoding applications;
  - **H.264** decoding streaming up to 1080p60 with audio support.
  - Flexible re-scaler to allow full frame rate of lower resolutions.
  - **MPEG-2 TS** or **RTP** support
- File based Transcoder
  - **MPEG-2** to **H.264** up to 1080p60
  - **AAC** and **LPCM** support
- Gstreamer support
- UBL, Linux Kernel, u-boot and root file system.



Contact Advanced Vision Technology for customised options.